

Mounting plate
with built-in level
(accessory)

Features

- weather resistant aluminium die-cast housing IP 65
- integrated transmitter
- easy mounting and adjustment by three-point plate and built-in box level
- standard unit: Lux = lx - 100 Lux equal 1 W/m² or 9.29 foot candle
- analogous signal output
- factory test certificate included (DIN EN 10204)

Versions - Ident-No.

00.16321.010302 (0...20 mA)

00.16321.010342 (4...20 mA)

00.16321.010012 (0...10 V)

Warranty

Please note the loss of warranty and non-liability by unauthorised manipulation of the system. You need a written permission from LAMBRECHT meteo GmbH for changes of system components. These activities must be operated by a qualified technician.

The warranty does not cover:

1. Mechanical damages caused by external impacts (e. g. icefall, rockfall, vandalism).
2. Impacts or damages caused by over-voltages or electromagnetic fields which are beyond the standards and specifications in the technical data.
3. Damages caused by improper handling, e. g. by wrong tools, incorrect installation, incorrect electrical installation (false polarity) etc.
4. Damages which are caused by using the device beyond the specified operation conditions.

Pin Assignments

Fig. 1 · Version:
00.16321.010342
00.16321.010302
00.16321.010012

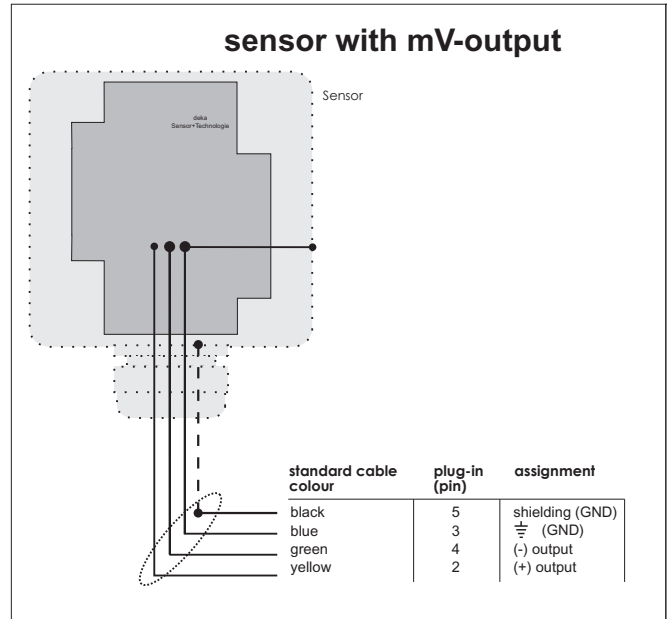


Fig. 2 · Version: 00.16321.010012

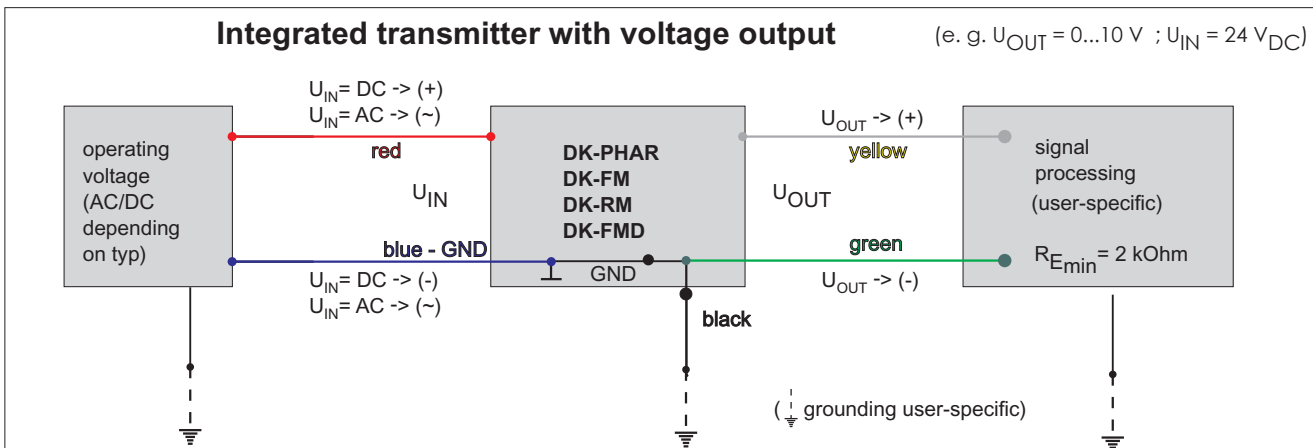
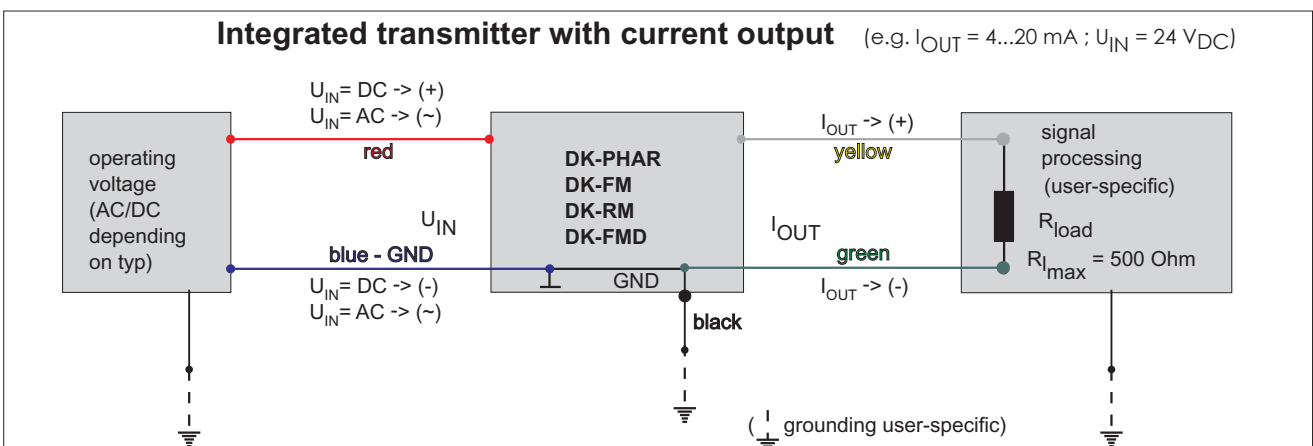


Fig. 3 · Version: 00.16321.010342 · 00.16321.010302



input 24 V_{DC} : $U_{INmin} = (12 + 0,02 \times R_I)\text{ V}$

$U_{INmax} = 27\text{ V}$

input 24 V_{AC} : $U_{INmin} = 24\text{ V} - 15\%$

$U_{INmax} = 24\text{ V} + 20\%$

Attention:
Input and output
carry one-sided
GND-potential !!!



Technical Data

Id-No: 00.16321.010302 (0...20 mA)
00.16321.010342 (4...20 mA)
00.16321.010012 (0...10 V)

Measuring range : 0...100 klx

Response time: < 5 ms

Inclination error: < ± 5 %

Non-linearity: ± 3 %

Output: 00.16321.010302 (0...20 mA)
00.16321.010342 (4...20 mA)
00.16321.010012 (0...10 V)

Range of application: -30...+60 °C

Supply voltage: 24 VDC (± 10 %)

Power consumption: max. 45 mA

Measuring elements: special silicium photo diodes

Dimensions: 65 x 59 x 68 mm

Protection class: IP 65

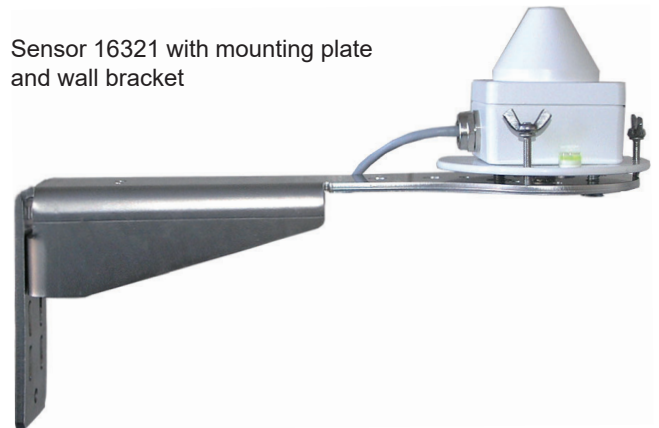
Weight: approx. 0.4 kg

Included in delivery 3.5 cable

Wall bracket made of stainless steel · approx. 0.6 kg

Id-No. 33.14627.012000

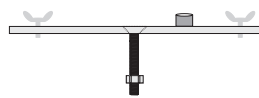
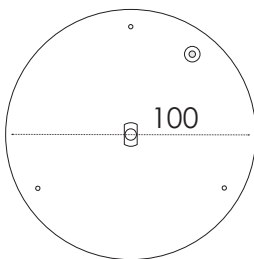
Sensor 16321 with mounting plate and wall bracket



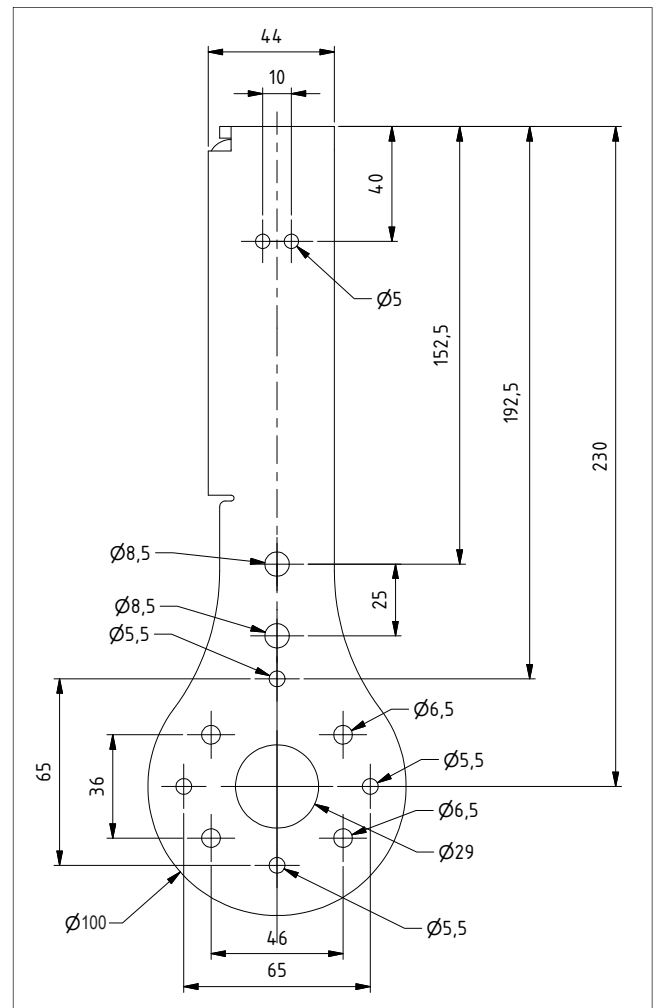
Accessories: (please order separately)

Three-point mounting plate made of aluminium · with built-in level for horizontal adjustment of the sensor · approx. 0.2 kg

Id-No. 32.16321.001000



Dimensions wall bracket



Quality System certified by DQS according to DIN EN ISO 9001:2015 Reg. No. 003748 QM15

Subject to change without notice.